

LT AIR ENGINEERING PTE. LTD.

Your partner towards a cleaner and more sustainable environment

Think environment, Think LT Air

Scrubber System



Vertical Counter-Current | Horizontal Cross-Flow | Mini Scrubber

LT Air Engineering *makes owning a scrubber system easy*

We offer a turnkey solution for customers who need scrubber systems for their facilities due to various reasons including safety, environmental and compliance to local air emission standards among others.

We design, fabricate, supply and install wet scrubbers in horizontal cross-flow and vertical counter-current configurations, venturi scrubbers as well as mini scrubbers for small flow rates.

Our involvement does not just end with the installation. We also test and commission the system together with the customer to ensure the system perform according to design.

On top of that we provide classroom and field trainings for the customer's operators to ensure they have the necessary knowledge to operate the system.

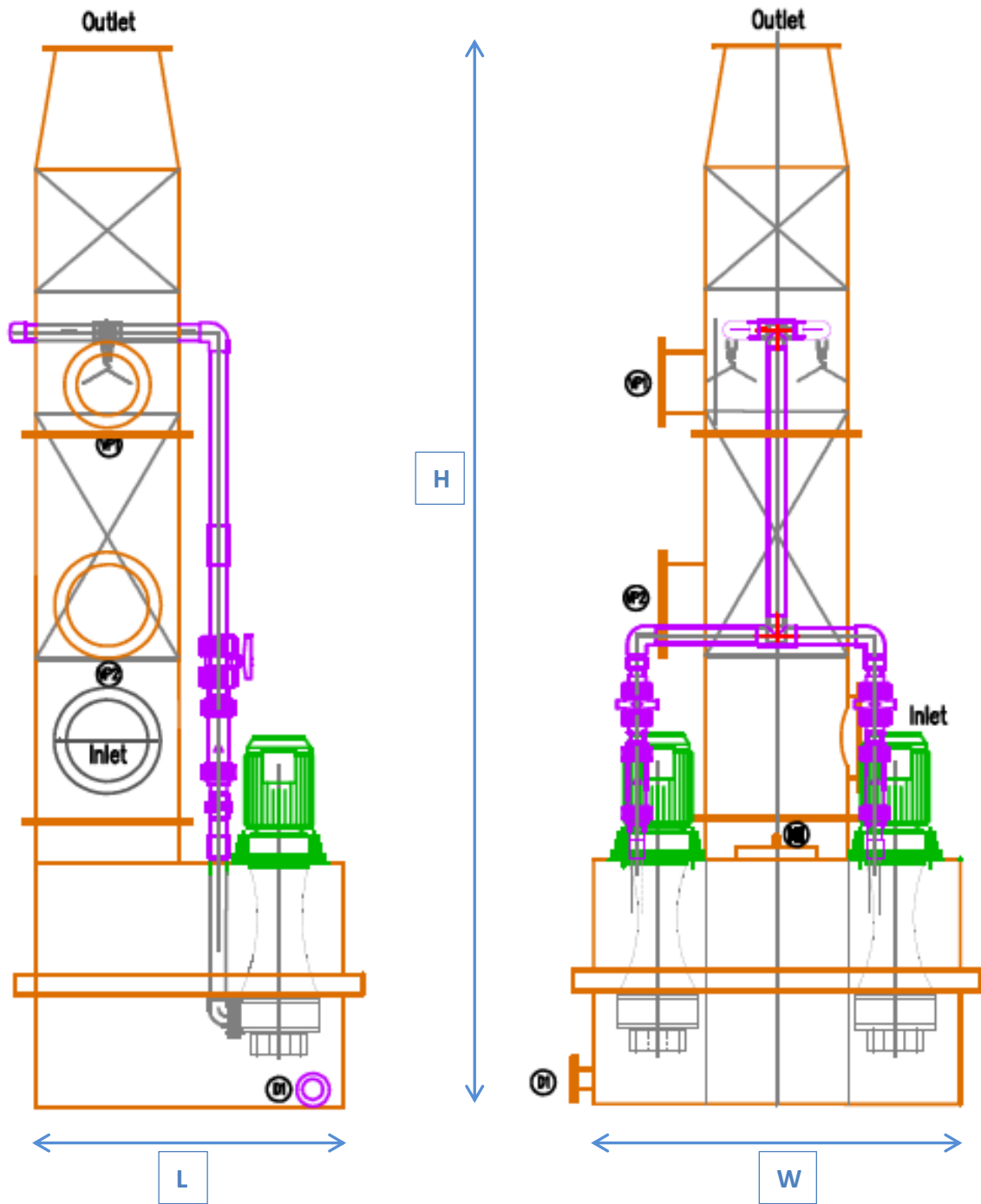
Our systems provide high removal efficiency against common pollutants including:

- Hydrochloric Acid (HCl)
- Hydrofluoric Acid (HF)
- Sulphuric Acid (H₂SO₄)
- Nitric Acid (HNO₃)
- Chromic Acid (H₂CrO₄)
- Phosphoric Acid (H₃PO₄)
- Sodium Hydroxide (NaOH)
- Chlorine (Cl₂)
- Ammonia (NH₃)
- Hydrogen Cyanide (HCN)
- Hydrogen Sulphide (H₂S)
- Nitrogen Oxides (NO_x)
- Phenols (-OH)

Our systems are used in many industries and sectors including:

- Foundries
- Municipal Plants
- Wastewater Treatment Plants
- Chemical Industry
- Chemical Storage Warehouses
- Food & Beverage Industry
- Institutions and Schools
- Electroplating Lines
- Any facility that uses or stores chemicals

Vertical Counter-current Scrubber

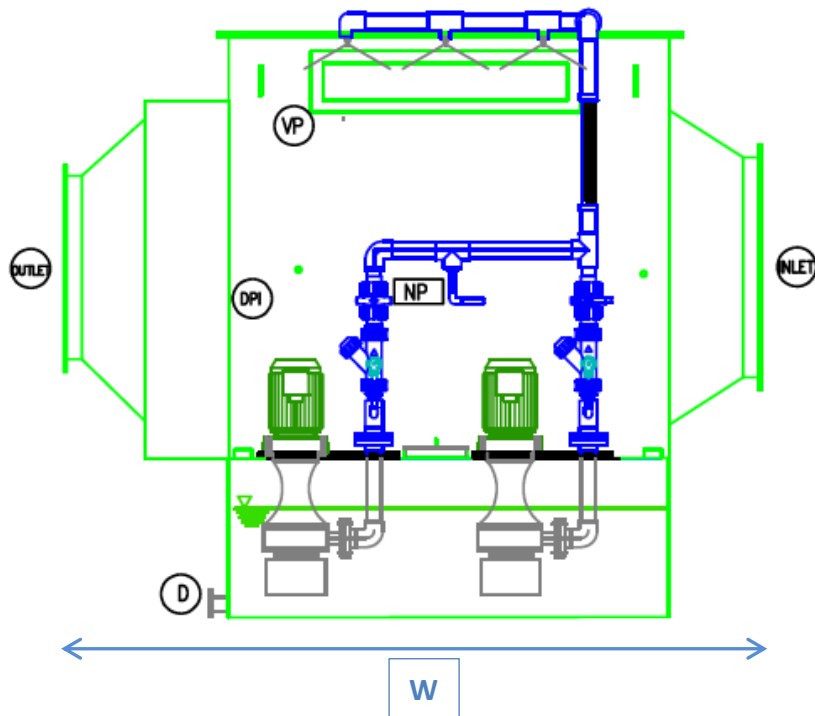
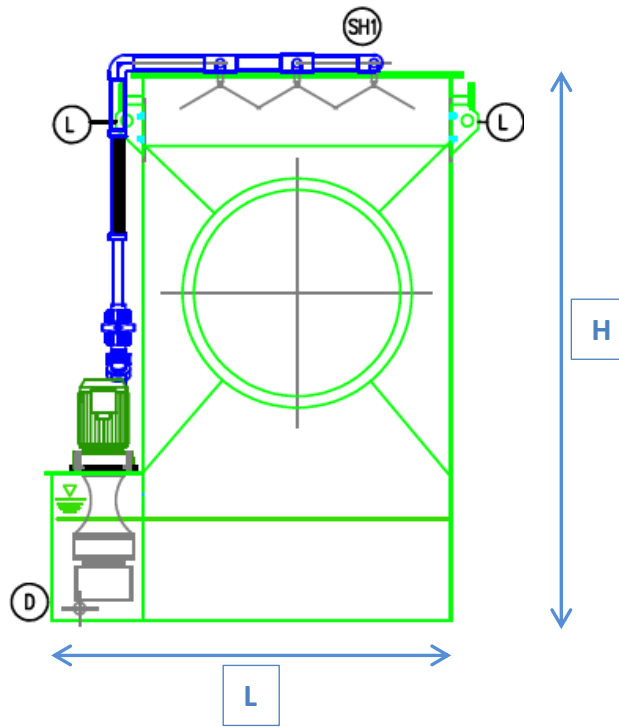


Approximate Footprint and Weight

Model	Air Flowrate (CMH)	L	W	H	Approx. Operating Wt (kg)
LT-V4	250	955	300	3,600	470
LT-V8	500	955	300	3,640	470
LT-V25	1,500	1,170	515	3,840	745
LT-V33	2,000	1,250	595	3,920	875
LT-V42	2,500	1,320	665	3,980	995
LT-V50	3,000	1,380	730	4,040	1,120
LT-V58	3,500	1,440	790	4,100	1,240
LT-V67	4,000	1,490	840	4,150	1,345
LT-V75	4,500	1,545	895	4,200	1,480
LT-V83	5,000	1,590	940	4,240	1,585
LT-V100	6,000	1,680	1,030	4,325	1,800
LT-V117	7,000	1,765	1,115	4,410	2,020
LT-V133	8,000	1,840	1,190	4,475	2,220
LT-V150	9,000	1,910	1,260	4,545	2,420
LT-V167	10,000	1,980	1,330	4,610	2,765
LT-V250	15,000	2,280	1,630	4,895	3,820
LT-V333	20,000	2,530	1,880	5,130	4,830
LT-V417	25,000	2,750	2,100	5,340	5,840
LT-V500	30,000	2,955	2,305	5,530	7,120
LT-V583	35,000	3,140	2,490	5,710	8,140
LT-V667	40,000	3,310	2,660	5,870	9,100
LT-V750	45,000	3,470	2,820	6,020	10,100
LT-V833	50,000	3,625	2,975	6,170	11,120
LT-V1000	60,000	3,910	3,260	6,435	13,040
LT-V1167	70,000	4,400	3,520	6,985	20,390
LT-V1333	80,000	4,640	3,760	7,210	22,920
LT-V1500	90,000	4,870	3,990	7,430	26,185
LT-V1667	100,000	5,035	4,205	7,535	26,500
LT-V1833	110,000	5,290	4,410	7,825	31,525
LT-V2000	120,000	5,485	4,605	8,010	34,020

*Values shown are based on typical acid and caustic scrubbing.
All dimensions in mm.*

Horizontal Cross-flow Scrubber



Approximate Footprint and Weight

Model	Air Flowrate (CMH)	L	W	H	Approx. Operating Wt (kg)
LT-H4	250	950	2,410	1,265	1,400
LT-H8	500	950	2,410	1,265	1,400
LT-H16	1,000	1,020	2,500	1,375	1,460
LT-H25	1,500	1,105	2,560	1,455	1,500
LT-H33	2,000	1,175	2,620	1,525	1,550
LT-H42	2,500	1,240	2,670	1,590	1,600
LT-H50	3,000	1,295	2,720	1,645	1,645
LT-H58	3,500	1,345	2,760	1,695	1,685
LT-H67	4,000	1,395	2,800	1,745	1,725
LT-H75	4,500	1,440	2,830	1,790	1,770
LT-H83	5,000	1,485	2,870	1,835	1,810
LT-H100	6,000	1,565	2,930	1,915	1,895
LT-H117	7,000	1,635	2,990	1,985	1,980
LT-H133	8,000	1,705	3,040	2,055	2,055
LT-H150	9,000	1,770	3,090	2,120	2,125
LT-H167	10,000	1,830	3,140	2,180	2,385
LT-H250	15,000	2,095	3,350	2,445	2,810
LT-H333	20,000	2,315	3,530	2,665	3,170
LT-H417	25,000	2,515	3,690	2,865	3,565
LT-H500	30,000	2,690	3,830	3,040	4,250
LT-H583	35,000	2,855	3,960	3,205	5,005
LT-H667	40,000	3,005	4,090	3,355	5,400
LT-H750	45,000	3,150	4,200	3,500	5,795
LT-H833	50,000	3,285	4,310	3,635	6,180
LT-H1000	60,000	3,535	4,509	3,885	7,070
LT-H1167	70,000	3,770	4,690	4,120	7,835
LT-H1333	80,000	3,985	4,870	4,335	8,580
LT-H1500	90,000	4,185	5,030	4,535	9,310
LT-H1667	100,000	4,375	5,180	4,725	10,190
LT-H1833	110,000	4,560	5,330	4,910	10,935
LT-H2000	120,000	4,730	5,470	5,080	11,645

*Values shown are based on typical acid and caustic scrubbing.
All dimensions in mm.*

Why LT Air Engineering?

- In-house scrubber design
- Up to 99.995% scrubbing efficiency
- Experienced fabrication team
- Quick response
- Authority submission
- Full QC test before leaving factory
- Removable manholes and viewports for easy and faster maintenance
- Manual and automatic operation for each system
- Robust FRP construction for maximum mechanical strength and corrosion resistance
- P.E. endorsement option available
- Turnkey package from design to installation



Vertical Scrubber Installation for a semiconductor plant



**Mini Scrubber Installation for a R&D lab
at a local university**

LT Air Engineering Pte. Ltd.

Your partner towards a cleaner and more sustainable environment

Think environment, Think LT Air

Company Registration No. 201707180Z

100 Peck Seah Street
#08-14 (PS100)
Singapore 079333

Web: www.ltairengineering.com

Email: sales@ltairengineering.com

Follow Us on Facebook: facebook.com/ltaireng